



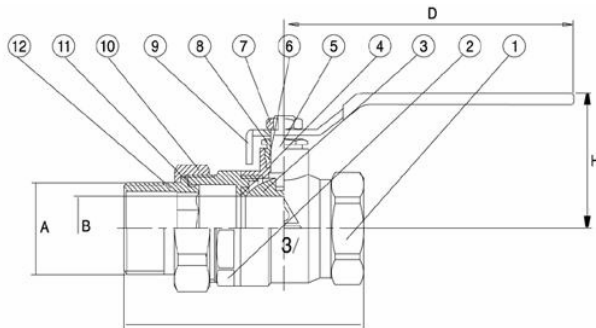
JUSHUI

ISO9001 ISO14001

ART. - 1112



**BRASS BALL VALVE WITH CONNECTOR
FORGING BRASS BODY
STEEL HANDLE
TEMPERATURE: -10 - +150°C
PRESSURE: 25 BAR
APPLICATION: WATER**



No.	Name	Material	Treatment
1	Body	Brass MS58	Nickel plated
2	Bonnet	Brass MS58	Nickel plated
3	Ball	Brass MS58	Chrome plated
4	Seat	PTFE	
5	Stem	Brass MS58	
6	Gasket	PTFE	
7	Nut	Brass MS58	Nickel plated
8	Press nut	Brass MS58	
9	Handle	Steel	Chrome plated
10	Connector	Brass Ms58	Nickel plated
11	O-Rings	NBR	
12	Union	Brass MS58	Nickel plated

A	L	D	H	B
1/2	71	101	40	14
3/4	80,5	101	43	18,5
1	93	112	56	23
1 1/4	109	132	62	29

	mm	Kv
3/8	10	15
1/2	14	17
3/4	18,5	35
1	23	49
1 1/4	29	86

