



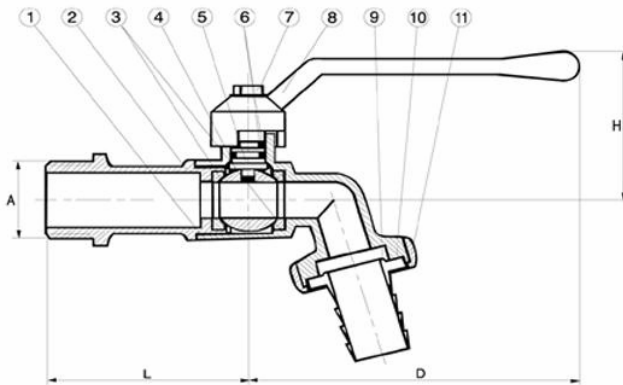
JUSHUI

ISO9001 ISO14001

ART. - 4101



BRASS BIBCOCK
FORGING BRASS BODY
THREADS: UNI ISO 228/1
ALUMINUM HANDLE
TEMPERATURE: 0 - +100°C
PRESSURE: 16 BAR
APPLICATION: WATER



No.	Name	Material	Treatment
1	Body	Brass MS58	Nickel plated
2	Bonnet	Brass MS58	Nickel plated
3	Seat	PTFE	
4	Ball	Brass MS58	Chrome plated
5	Stem	Brass MS58	
6	O-rings	NBR	
7	Nut	Steel	Zinc plated
8	Handle	Aluminum	Painted
9	Head Part	Brass MS58	Nickel plated
10	Gasket	NBR	
11	Cap	Brass MS58	Nickel plated

A	L	D	H
1/2	48	85	44
3/4	59	85	56

