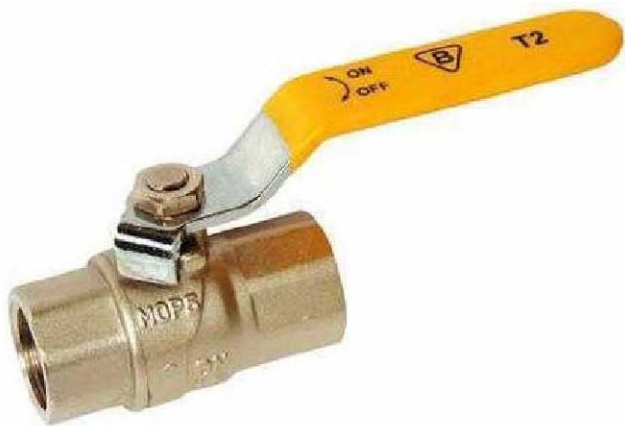




JUSHUI

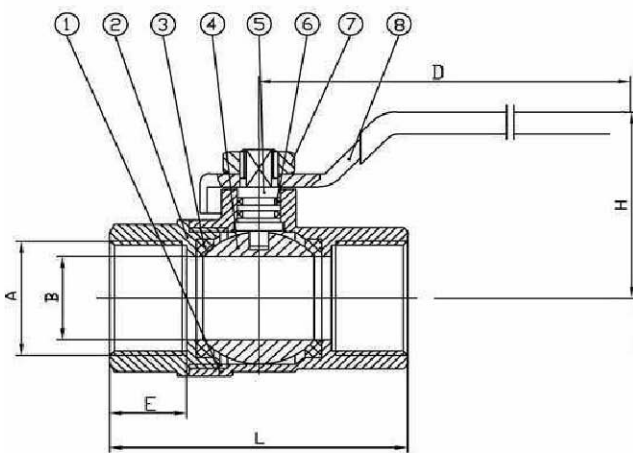
ISO9001 ISO14001



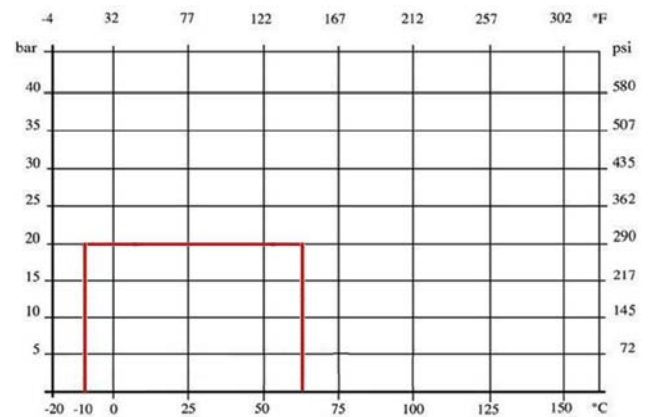
ART. – JS588

MS 58 BRASS BALL VALVE FORGING
 BRASS BODY STEEL HANDLE WITH
 PLASTIC SLEEVE THREADS: UNI ISO 7/1 Rp
 TEMPERATURE: -20 - +60°C MAX.
 OPERATING PRESSURE: 5-20 BAR
 APPLICATION: WATER, OIL, GAS

No.	Name	Material	Treatment
1	Body	Brass MS58	Nickel plated
2	Bonnet	Brass MS58	Nickel plated
3	Seat	PTFE	
4	Ball	Brass MS58	Chrome plated
5	Stem	Brass MS58	Nickel plated
6	O-ring	NBR	
7	Nut	Brass MS58	Nickel plated
8	Handle	STEEL	Chrome plated



A	L	D	H	B	E min.
Rp ½	57,7	89	40	15	15
Rp ¾	67	89	44	20	16,3
Rp 1	80,8	114,5	58	25	19,1
Rp 1 ¼	94,5	127	66,5	32	21,4
Rp 1 ½	102,9	127	73	40	21,4
Rp 2	126	163,5	83	50	25,7



	DN	Kv
½	15	20
¾	20	45
1	25	60
1 ¼	32	100
1 ½	40	170
2	50	265